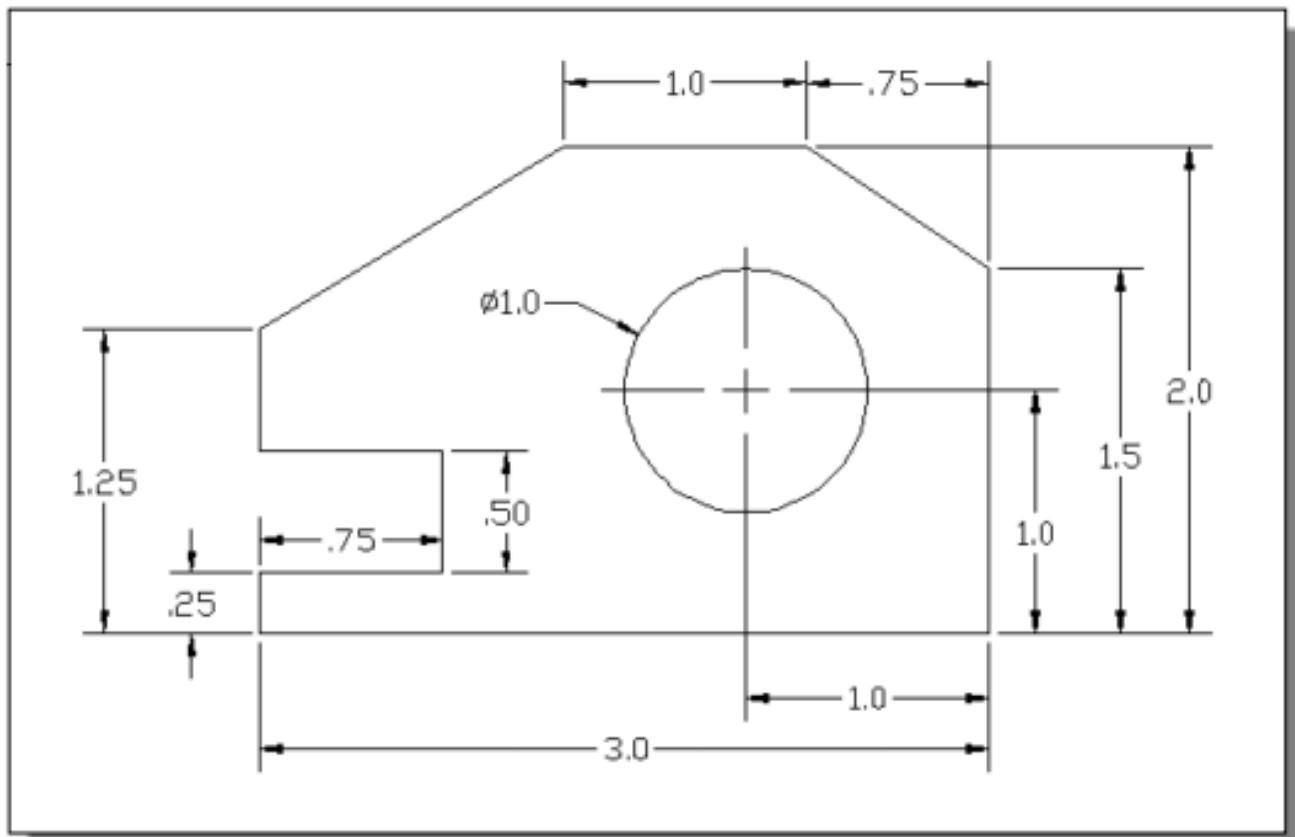
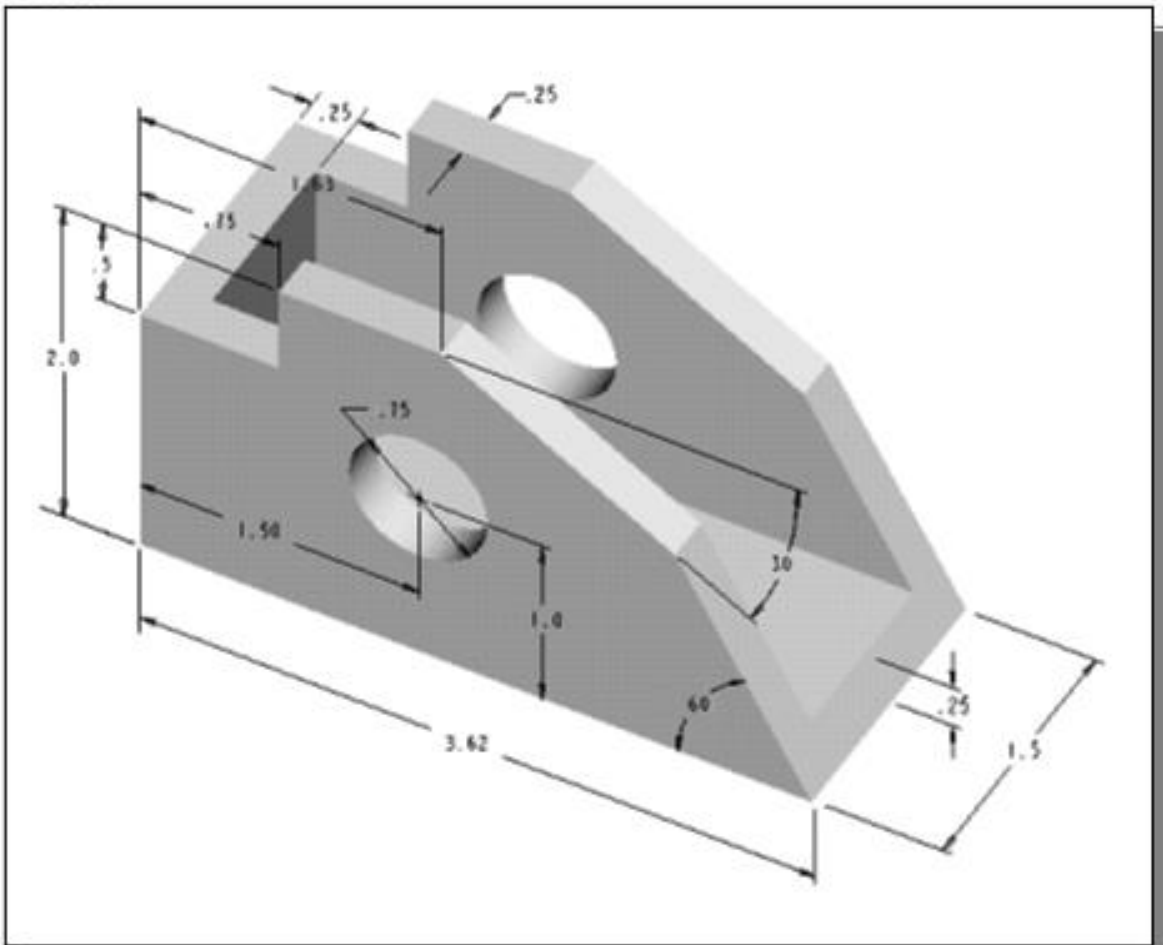


### Inclined Support (Thickness: .5)



### Guide Block



**Latch Clip** (thickness: **0.25** inches. Material: **Cast Iron**. Mass and Volume =?)

